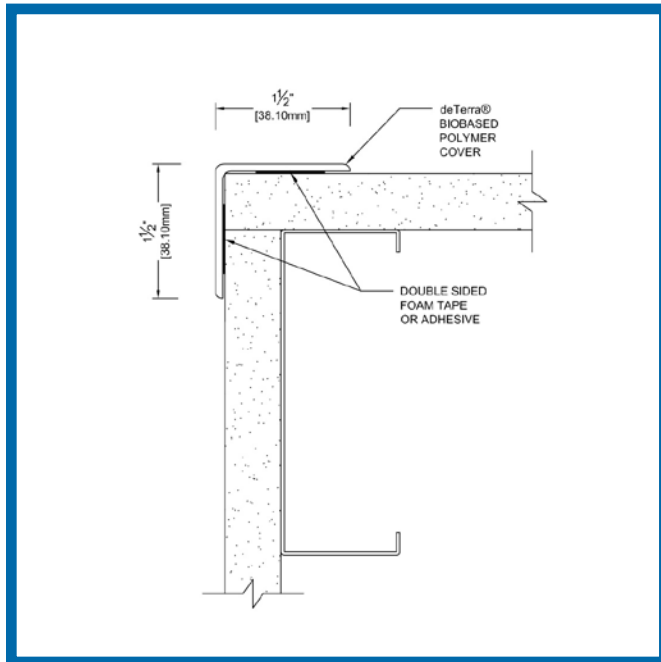




# Economy Corner Guard

Models CG-X, CG135-X



Surface mount corner guards applied with adhesive or double sided foam tape provide the most economical and flexible corner protection solution for virtually any application. Available in standard 90 and 135 degree angles as well as virtually any custom angle, they provide protection in hard-to-match applications. Specify standard 4'0" (1219mm) or 8'0" (2438mm) or custom height.

## About Alpar Architectural Products

Alpar Architectural Products LLC provides impact protection for walls with the least possible environmental impact. All of our products are FREE from polyvinylchloride (PVC), petroleum and persistent bioaccumulative toxins (PBTs) and are made from recycled and rapidly renewable materials including deTerra® biobased polymer, aluminum and stainless steel.

DeTerra® biobased polymer looks and feels like traditional plastics but is made from nearly 90% rapidly renewable materials and are grown and processed into compound within 500 miles of our plant. It is the only wall protection material that is approved by the EPA as biodegradable and that can be composted. It is Class 1/A fire rated and far outperforms PVC, PETG and ABS for flame spread and smoke density when tested to ASTM E84. It also outperforms these materials in many mechanical, chemical and stain resistance tests relevant to wall protection.

Alpar Architectural Products is a woman-owned business enterprise (WBE).

Alpar Architectural Products LLC  
877-721-0156  
612-721-0156  
Fax 612-395-9183  
info@alpararch.com  
www.alpararch.com

© Copyright 2011 Alpar Architectural Products, LLC.  
DeTerra is a registered trademark of Interfacial Solutions IP, LLC.