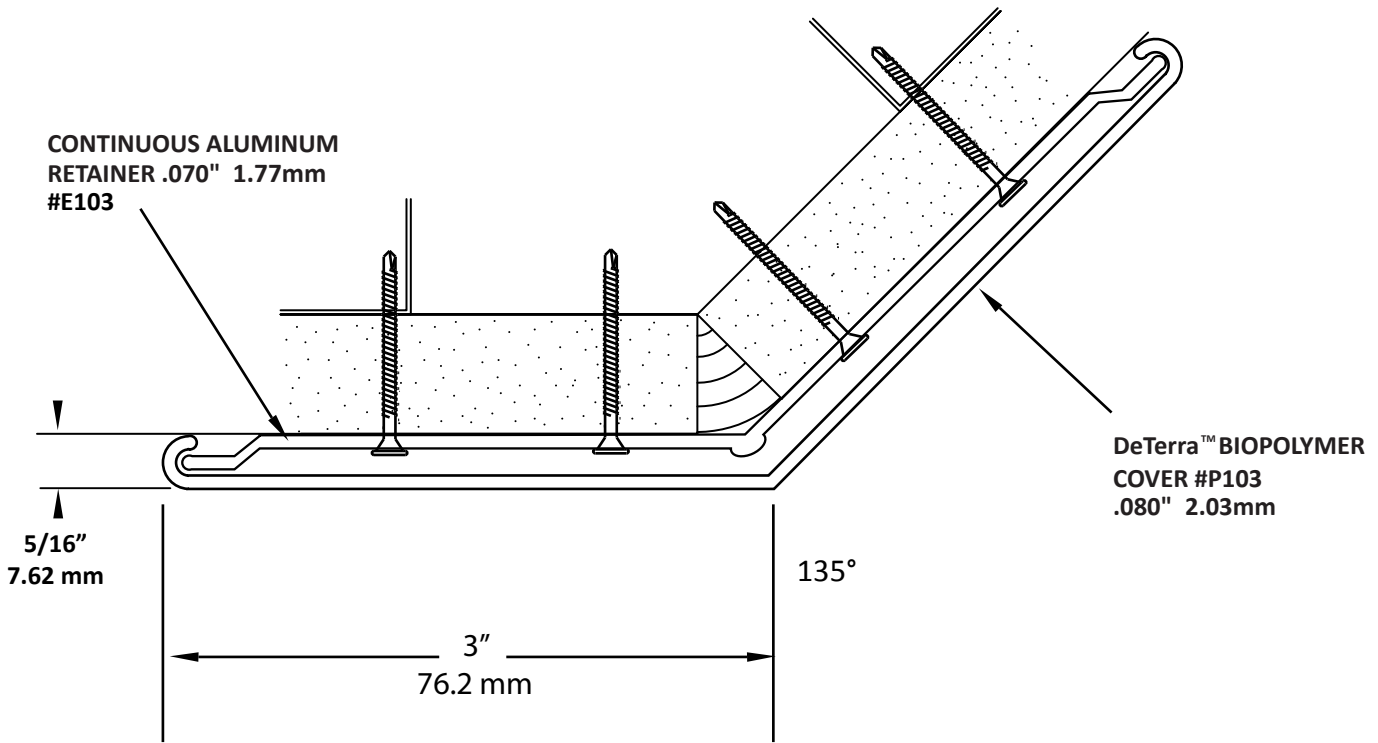


3" SURFACE MOUNT 135° CORNER GUARD #CG135-S



RELATED PARTS NOT SHOWN
END CAP #M103

DATE:	CUSTOMER:	QTY	HEIGHT	PATTERN	
REP:	 <p>www.alpararch.com 612-721-0156 P.O. Box 17207 Minneapolis, MN 55417-0156</p>				
PROJECT:					
JOB #:					
REV #:		Alpar Architectural Products, LLC			