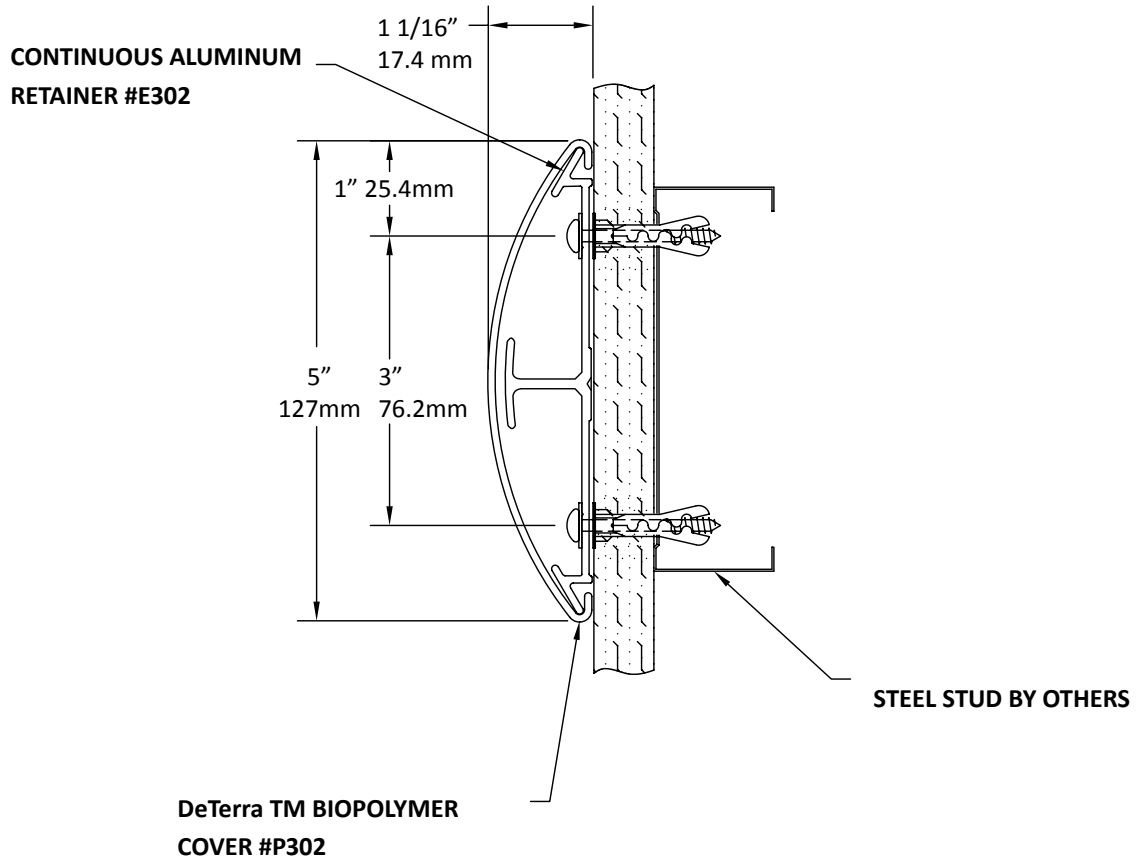


5" CRASHRAIL #CR5-C



RELATED PARTS NOT SHOWN

- END RETURN #CR5-EC
- OUTSIDE CORNER #CR5-OC
- INSIDE CORNER #CR5-IC

DATE:	CUSTOMER:	PART	QTY	COLOR	
REP:	 <p>www.alpararch.com 612-721-0156 P.O. Box 17207 Minneapolis, MN 55417-0156</p>				
PROJECT:					
JOB #:					
REV #:		Alpar Architectural Products, LLC			