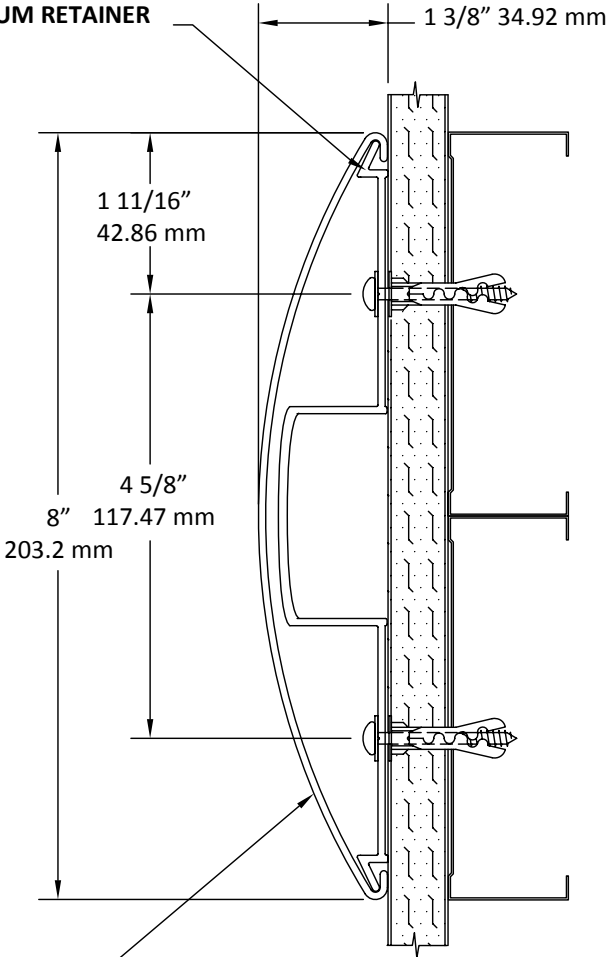


8" CRASHRAIL #CR8-C

CONTINUOUS ALUMINUM RETAINER
#E303



DeTerra™ BIOPOLYMER
COVER #P303

RELATED PARTS NOT SHOWN
END RETURN #CR8-EC
OUTSIDE CORNER #CR8-OC
INSIDE CORNER #CR8-IC

DATE:	CUSTOMER:	PART	QTY	COLOR
REP:	 <p>www.alpararch.com 612-721-0156 P.O. Box 17207 Minneapolis, MN 55417-0156</p>			
PROJECT:				
JOB #:				
REV #:				
		Alpar Architectural Products, LLC		