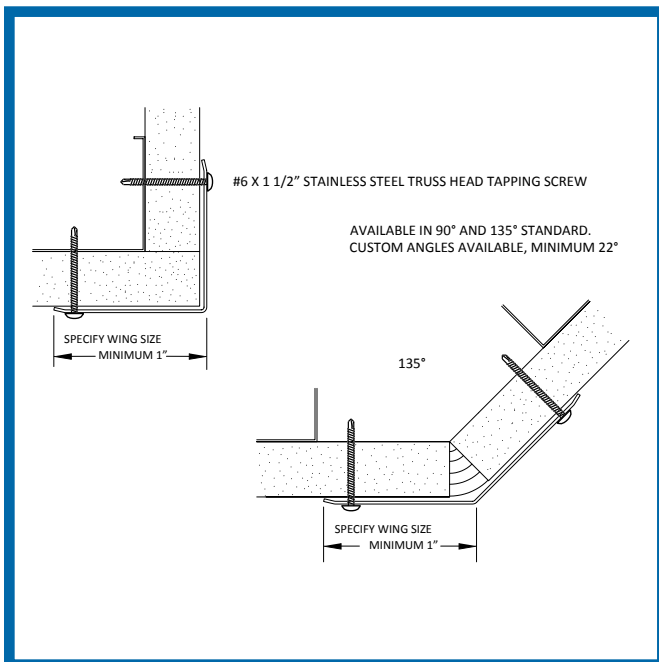
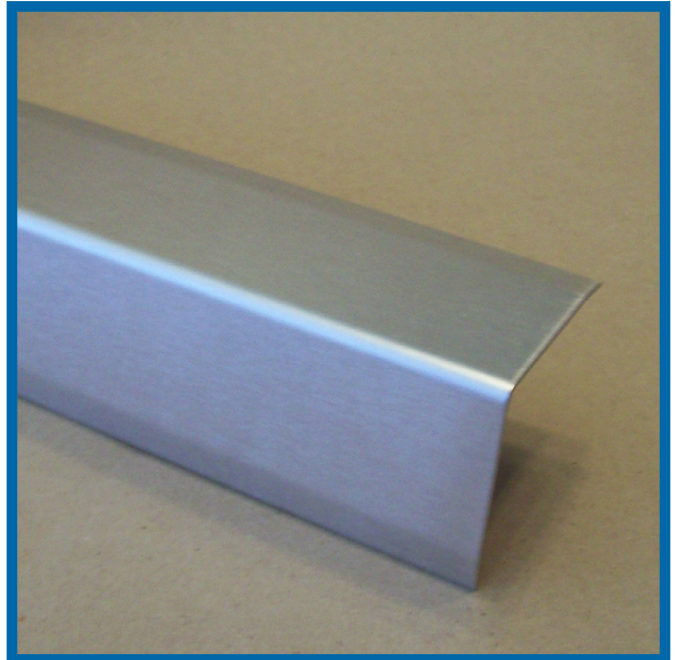
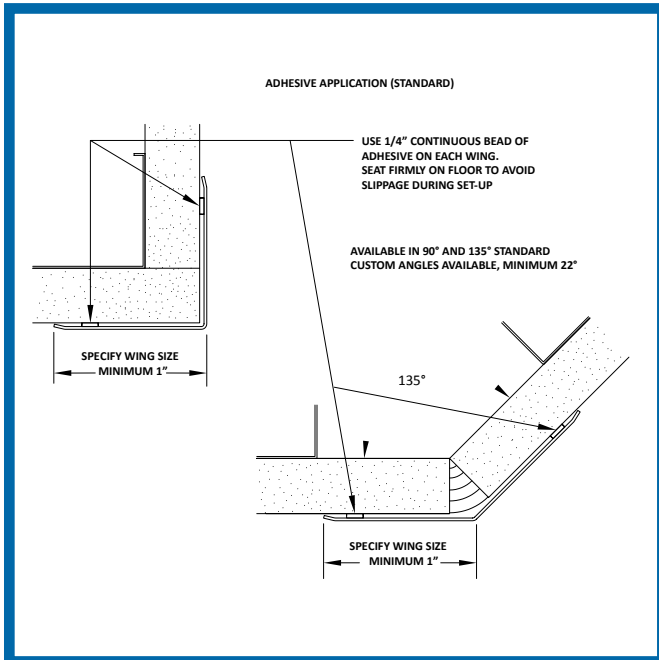


alpar Stainless Steel Corner Guard

Model SSCG



Stainless steel corner guards provide unmatched impact resistance. They're made with 16 gauge, type 304 stainless steel with directional #4 satin finish. Specify either adhesive mount for the quickest installation, or mechanical mount with pre-drilled holes and screws. Either option is available with any wing size greater than 1" (25.4mm) in 90, 135 or virtually any custom angle.

About Alpar Architectural Products

Alpar Architectural is a manufacturer of wall protection for use in healthcare, commercial and institutional buildings. All of our products are PVC-free and made from recycled and rapidly renewable materials, including deTerra™ biobased polymer, aluminum and stainless steel. Call for a catalog or visit our website to see our full line of handrails, crash rails, corner guards and sheet wall protection.

Alpar Architectural Products LLC
877-721-0156
612-721-0156
Fax 612-395-9183
info@alpararch.com
www.alpararch.com

©Alpar Architectural Products LLC