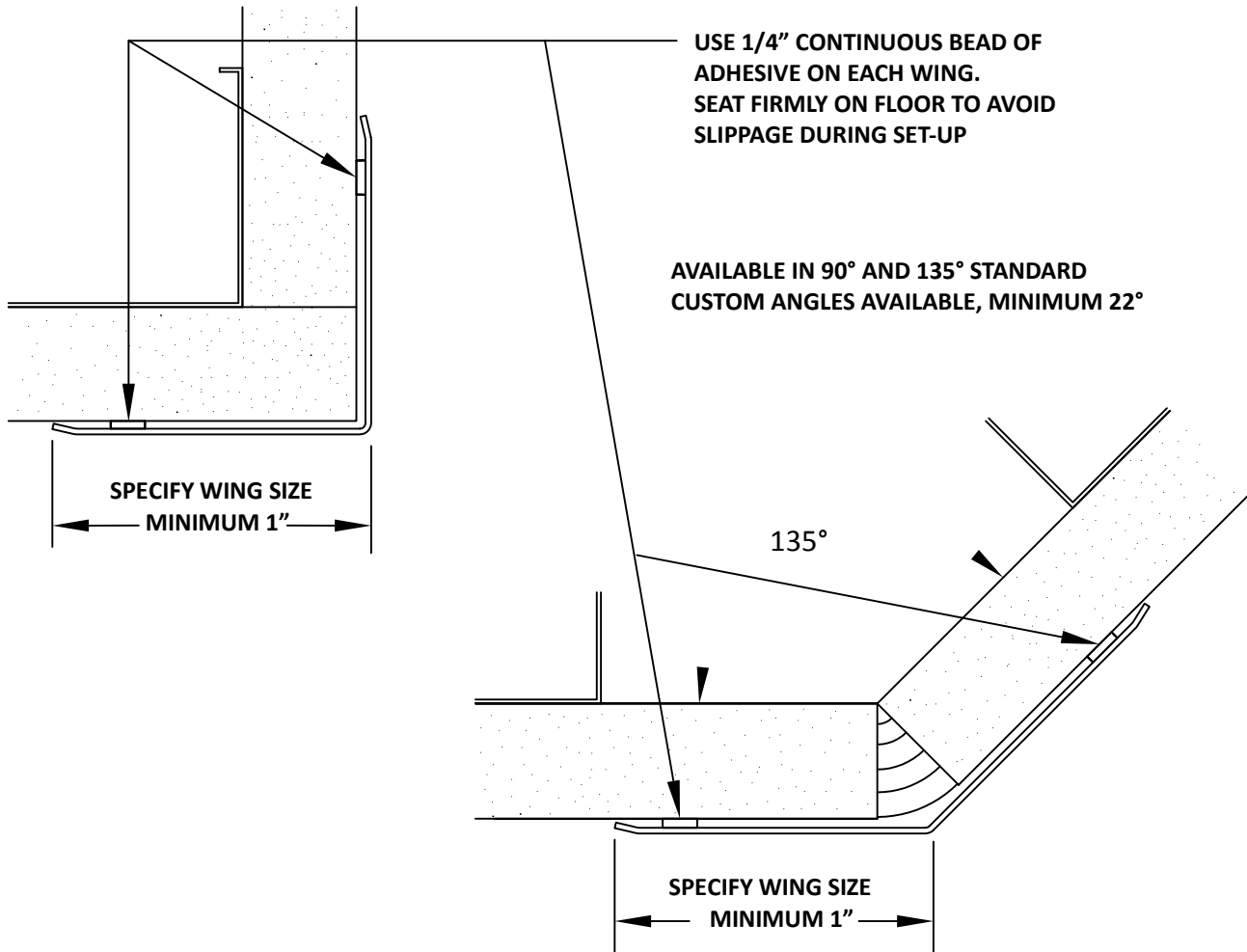


# STAINLESS STEEL CORNER GUARDS #SSCG

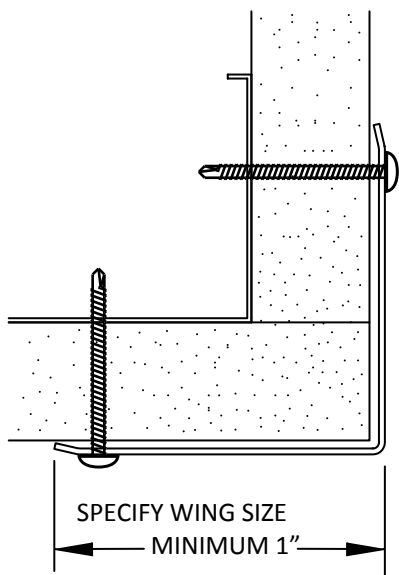
## ADHESIVE APPLICATION (STANDARD)



DATE:	CUSTOMER:	QTY	HEIGHT	PATTERN
REP:	 <p>www.alpararch.com 612-721-0156 P.O. Box 17207 Minneapolis, MN 55417-0156</p>			
PROJECT:				
JOB #:				
REV #:				
		Alpar Architectural Products, LLC		

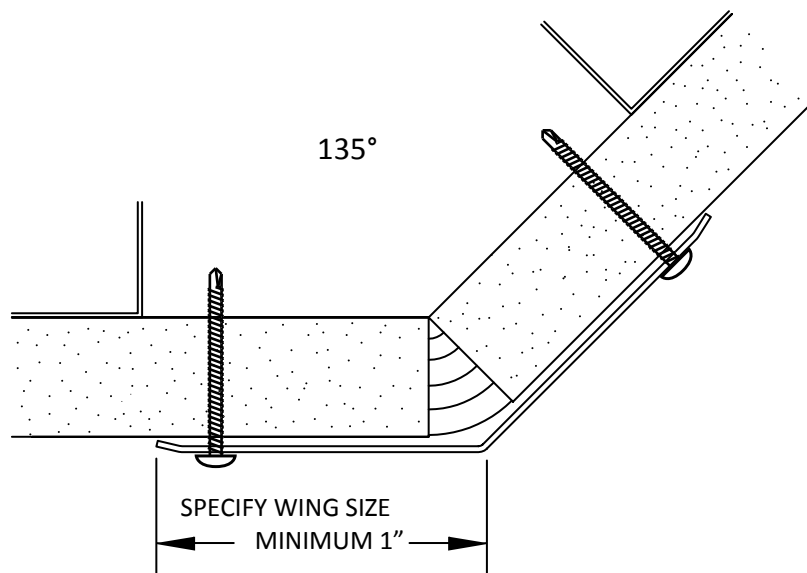
# STAINLESS STEEL CORNER GUARDS #SSCG

## MECHANICALLY FASTEND APPLICATION



#6 X 1 1/2" STAINLESS STEEL TRUSS HEAD TAPPING SCREW

AVAILABLE IN 90° AND 135° STANDARD.  
CUSTOM ANGLES AVAILABLE, MINIMUM 22°



DATE:	CUSTOMER:	QTY	HEIGHT	PATTERN
REP:	 <p>www.alpararch.com 612-721-0156 P.O. Box 17207 Minneapolis, MN 55417-0156</p>			
PROJECT:				
JOB #:				
REV #:				
		Alpar Architectural Products, LLC		